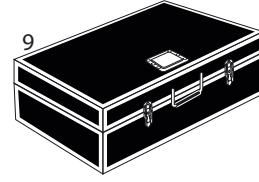
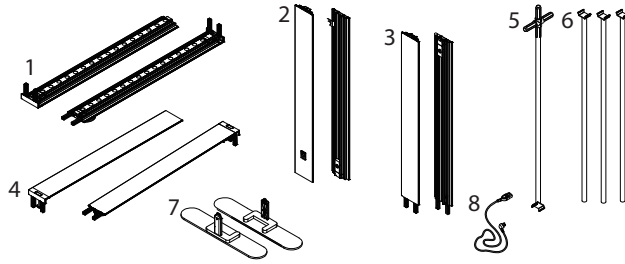


8'x8' Premier SEG Glo Display

Product Parts

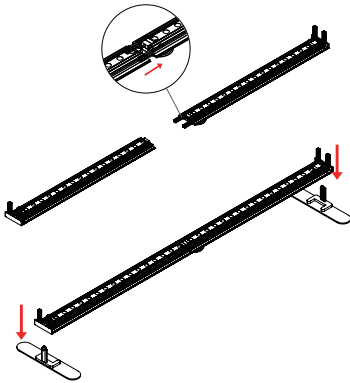
1. Bottom Frame Segment (x2)
2. Bottom Side Segment /w Lock (x2)
3. Top Side Segments /w Lock (x2)
4. Top Frame Segments (x2)
5. Bottom Support Pole
6. Support Poles (x3)
7. Frame Feet
8. Power Cord
9. Hard Case



Display Assembly

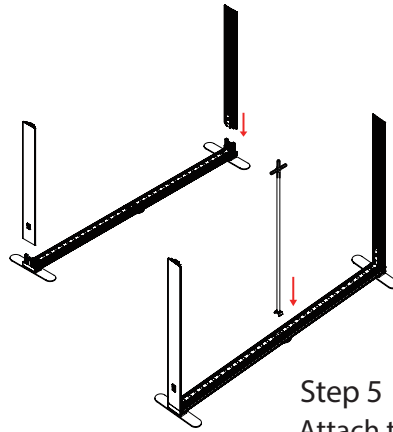
Step 1

Assemble Frame Segments (1) by matching the shapes located on each piece, ▲ to ▲ etc. Attach Frame Feet (7) to the assembled Bottom Frame Segments (1) by inserting the connector located on the foot into the slots on the bottom.



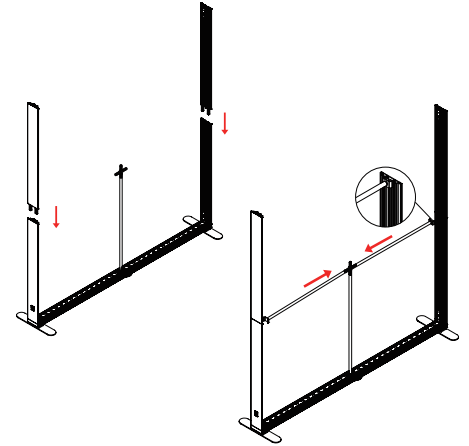
Step 2

Attach the Bottom Side Segments /w Lock (2) to connected Bottom Frame Segments (1) by matching the shapes located on each piece, and clicking into place. Attach Bottom Support Pole (5) to the bottom of the frame by snapping the clip on the Bottom Support Pole into the channel on the frame.



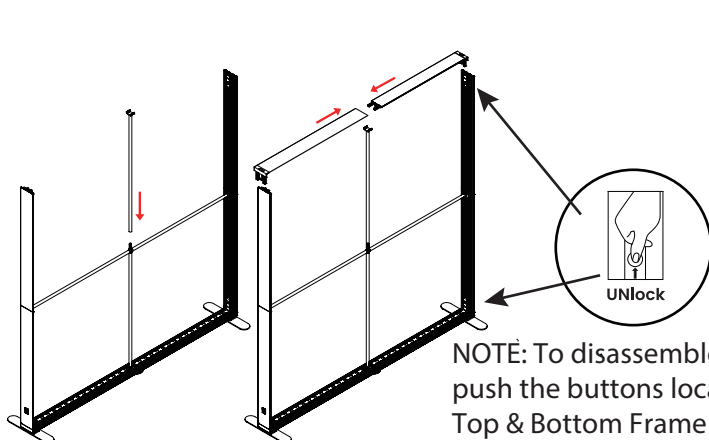
Step 3

Attach the Top Side Segments /w Lock (3) to Bottom Side Segments /w Lock (2) by matching the shapes located on each piece. Attach two Support Poles (6) to the Bottom Support Pole (5), snap clips on the end of the Support Poles (6) into the channel on the frame.



Step 4

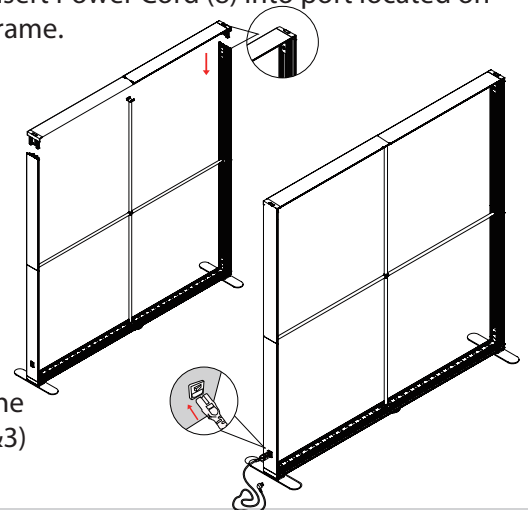
Attach the final Support Pole (6) to the Bottom Support Pole (5). Connect the Top Frame Segments (4) by matching the shapes located on each piece.



NOTE: To disassemble frame push the buttons located on the inside of the Top & Bottom Frame Segments /w Lock (2&3) to release the locks inside the frame.

Step 5

Attach the connected Top Frame Segments (4) to the Top Side Segments /w Lock (3) by matching the shapes located on each piece, and clicking into place. Attach Center Support Pole (6) to the top of the frame by snapping the clip on the top of the pole into the channel on the Frame. Insert Power Cord (8) into port located on the side of the frame.



Storage & Care

Place all frame parts into Hard Case and store in a cool dry location. To clean non-graphic hardware, wipe with a damp cloth.

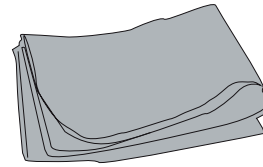
SEG GRAPHIC INSTALLATION

Product Parts

1. SEG Frame



2. Graphic(s)

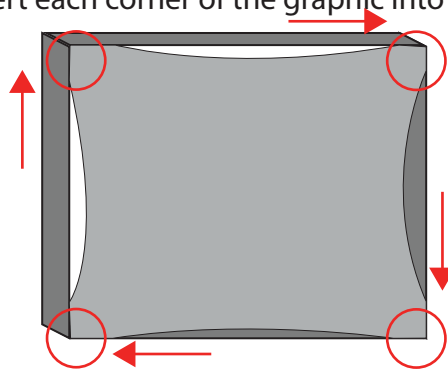


Graphic Installation Process

Step 1

Start with the corners.

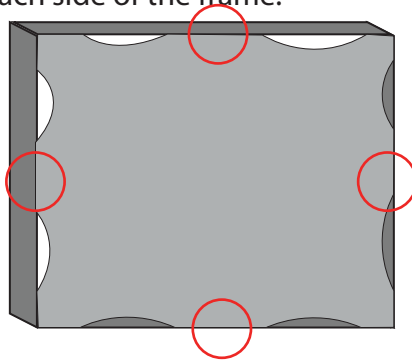
Working in a clockwise motion insert each corner of the graphic into the frame.



Step 2

Move to the centers.

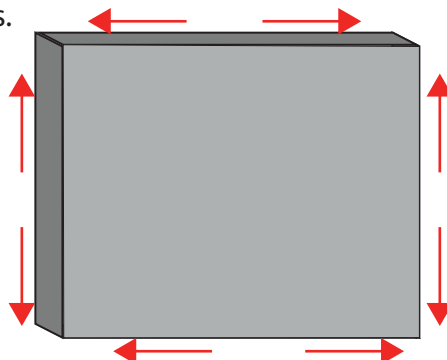
Insert the centers of the graphic on each side of the frame.



Step 3

Complete installation.

Insert the remaining portions of the graphic into the frame starting from the center points and working your way to the corners.



Storage & Care

Do NOT dry clean graphic, can Steam Clean wrinkles.